



VL1000™ ERS

automated ellipsoidal
reflector spotlight

The VARI*LITE® VL1000™ ERS luminaire combines the functionality of one of the most popular conventional lighting tools — the ellipsoidal reflector spotlight — with the versatility of an automated luminaire.

Automated functions include CYM color mixing, rotating gobos, variable diffusion and a zoom lens that ranges from 19° to 36° for normal imaging and a super zoom function that ranges to 70°.

Models VL1000A, VL1000AI and VL1000AS deliver more than 15,000 lumens with the higher color temperature of the 575 watt arc source. These models also include a mechanical dimmer and a truss-mounted, fanless ballast.

The VL1000AS model includes an automated, four-blade shutter mechanism that provides control of all shutter functions popular in conventional ellipsoidal reflector spotlights. The VL1000AI model includes a beam size iris.

Arc Units

Programmable Functions

Zoom Optics:	Continuously variable field angle in imaging range from 19° to 36°; super zoom angles to 70° is programmable over a timed range of 2 seconds to 20 minutes.
Color Mixing:	A fully cross-fading CYM color system is included.
Diffusion:	Field or gobo can be continuously and smoothly diffused to wash.
Rotating Gobo Wheel:	Six-position rotating gobo wheel with five rotatable, indexable gobo positions and one open position.
Shutter (Framing Models):	Four-blade system can frame and crop beam field and gobos. Each individual shutter is capable of translating to beam center while also rotating $\pm 35^\circ$. Entire shutter rotates $\pm 45^\circ$.
Beam Size Control (Iris Models):	In addition to the zoom optics, a mechanical iris provides continuous beam size control for both rapid changes and smooth timed beam angle changes.
Pan & Tilt:	Smooth, timed continuous motion using stepper motors with encoder correction. Pan range is 540°; tilt is 270°. Resolution is 0.1°. Unit will calibrate to support close hangs (yoke-to-yoke).

Description

Source:	575 W Arc Lamp, Phillips MSR 575HR (or equivalent) Color Temp: 6000K CRI: 95 Output: >15,000 Lumens Rated Life: 1,000 Hours
Source:	575 W Long-Life Arc Lamp, Phillips MSD 575HR (or equivalent) Color Temp: 5900K CRI: 75 Output: >14,000 Lumens Rated Life: 2,000 Hours
Power Requirements:	Depending on the voltage, 3 to 9 A are supplied to the Arc luminaires and ballast.
Reflector:	Precision glass reflector with dichroic cold mirror coating.
Operational Temperature:	-20° to 122°F (-29° to 50°C).
Cooling:	Free convection cooling when hung. Floor mounted units and extreme ambient temperatures activate a low-noise, forced-air cooling system.
Control:	Completely compatible with a wide variety of DMX-512 consoles.
Mounting Position:	The VL1000 ERS luminaire can be mounted and operated in any orientation.
Spacing:	Full range of motion on 26.5" centers. Hangs as close as 20.0".
Weight:	70 lbs (32 kg).

Accessories

71.2528.0575	575 Watt Arc Lamp, MSR575HR
71.2556.0575	575 Watt Long-Life Arc Lamp, MSD575HR
55.6840.0001	Truss Hook, Mega-Clamp, Round and Square
55.6841.0001	Truss Hook, Mega-Claw for 2" Round Tube
41.6010.XXXX	Gobo, VL1000 (Specify pattern from catalog to complete P/N.)



VL1000™ ERS

automated ellipsoidal
reflector spotlight

Arc Units

Arc Ballast Unit Description:

Input

Voltage Range: 90V to 275V,
auto-ranging.
Frequency: 50Hz or 60Hz
Current Range: 2.7A to 9.0A*
Power Factor: ± .97

Weight & Dimensions

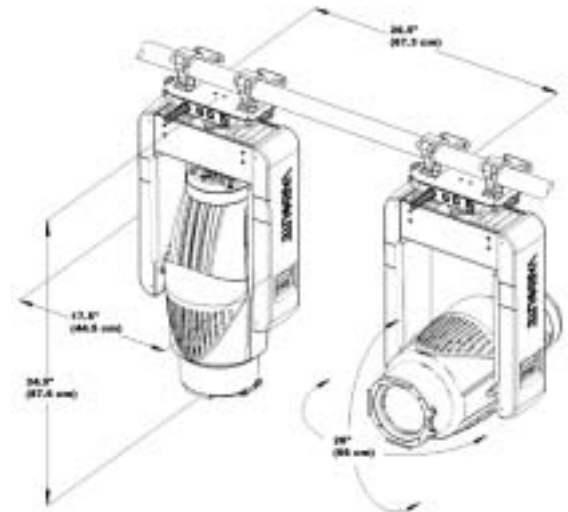
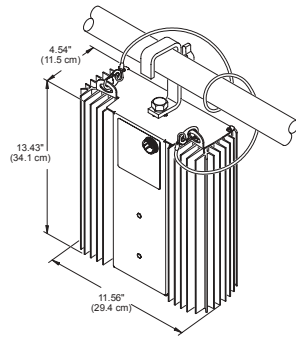
Mounting position:
Ballast can be mounted in any orientation.

Weight:
16.6 lbs (7.52 kg)

Output

Open Circuit Voltage: ± 450V
Lamp Voltage: 100V*
Lamp Current: 6.25A*
Lamp Power: 625W*
Output Current Shape: Square wave
Output Frequency: 200Hz*
High Frequency Ripple Current: ± 3%

* Nominal Values



Specifications

The unit is an integrally designed, remote-controlled, automated ellipsoidal reflector spot luminaire. An integral enclosure/pan tube supports the luminaire with provisions for two hooks. The pan tube serves as an interconnection point for power and data. Low noise fans provide forced-air cooling for internal components during extreme operating conditions. The rear cap provides three-point lamp adjustment and easy access to the lamp for replacement.

An AC input connector, a remote ballast interconnect cable and two, five-pin DMX-512 compatible connectors (in and through) are provided. The unit can be controlled by a wide variety of DMX-512 consoles.

Each unit is equipped with a high-speed processor providing diagnostic and self-calibration functions as well as internal test routines and software update capabilities. A yoke arm mounted panel and display provide the user interface.

The unit contains independent stepper motors to provide movement of the head through 540° in the horizontal plane (pan) and 270° in the vertical plane (tilt). The luminaire calibrates to minimize hanging distances.

A zooming multi-element optical system provides continuous focus of gobo images for field angles from 19° to 36°. A super zoom function provides field angles to 70°. Independent control of edge is provided.

A CYM color mixing system is provided for a broad range of user color selection. A variable diffusion stage is also included. This stage provides controlled reduction of the contrast ratio of imagery and beam edges. The effect is a continuous transition from spotlight to floodlight.

A six-position gobo wheel with five rotatable, indexable gobo positions and one open position is included. Gobos are easily installed and removed. (A wide selection of gobos is available from Vari-Lite.)

Framing shutter models contain four shutter blades that translate radially across the beam. Each individual shutter is capable of translating to beam center while also rotating ±35°. The framing shutter mechanism rotates as a unit ±45°.

Iris models contain a beam size iris suitable for producing narrow beams and cropping gobos. The unit is ETL and ETLc certified and CE marked. Exterior finish is black. Custom colors may be special ordered.

Photometric Data**




FIELD ANGLE (Degrees)	FIELD DIAMETER TN'	BEAM ANGLE (Degrees)	BEAM DIAMETER TN'	CANDELA (cd)
VL1000 ERS — 575W Metal Halide				
19.0	.335	13.0	.228	235,300
27.0	.480	18.0	.317	123,700
36.5	.660	24.0	.425	66,500
70.0 (Super Zoom)	1.40	28.5	.508	31,600
VL1000 ERS — 575W Metal Halide (Long-Life)				
19.5	.344	13.5	.237	205,400
27.0	.480	18.5	.326	104,900
36.0	.650	24.5	.434	56,400
70.0 (Super Zoom)	1.40	28.0	.499	27,000

** All data taken with seasoned light source at 20 hours of life.
 † Multiply distance by Tn to determine coverage.
 To calculate center beam illuminance (I), at a specific distance (D): $I = \frac{cd}{D^2}$
 — if (D) is in feet, (I) is in foot candles
 — if (D) is in meters, (I) is in lux

Models

MODEL	PART NUMBER	SOURCE	FRAMING SHUTTERS	IRIS
VL1000 A	20.9663.0001.11	Arc	No	No
VL1000 AS	20.9663.0001.12	Arc	Yes	No
VL1000 AI	20.9663.0001.13	Arc	No	Yes

VARI*LITE®
Express yourself.
a **GENLYTE THOMAS** company

© 2003. Printed in the U.S.A. Specifications are subject to change without notice. VARI*LITE® is a registered trademark of Genlyte Thomas LLC. VL1000™ is a trademark of Genlyte Thomas LLC. VARI*LITE® automated lighting equipment is made in the U.S.A. VARI*LITE® products are protected by patents granted and pending in the U.S. and other countries.



Vari-Lite
10911 Petal Street
Dallas, TX 75238
1.877.VARILITE
fax: 214.647.8036
www.vari-lite.com

