

# VL2500™ Spot

l u m i n a i r e



The VARI\***LITE**® VL2500™ Spot luminaire is based on a very popular existing lighting tool – the VL2000™ Spot luminaire – with additional new features that make it even more appealing.

The VL2500 Spot luminaire comes complete with all of the qualities and options designers love from the original Series 2000™ fixtures. It is still small, lightweight, and fast with a 700-watt short-arc lamp, impressive lumen output, and a zoom range from 18.5° to 42°.

To add to these features, the VL2500 Spot luminaire provides three-wheel CYM color mixing. When combined with 11 standard colors on a fixed wheel, the color options are practically limitless.

Additionally, a coated glass dimmer wheel provides smooth fades, and a separate dual-blade strobe system offers quiet and reliable strobe effects. The VL2500 Spot luminaire's pan and tilt motors are now more powerful and provide more torque.

For image projection, the fixture has one gobo wheel with five rotatable and indexable positions and a second gobo wheel with 11 fixed positions.

The VL2500 Spot luminaire contains everything that really matters to designers – limitless color options, clarity of optics, exceptional zoom range, fast, smooth movement and powerful output.

The VL2500 Spot luminaire can be controlled from virtually any DMX512 console or DMX output device.

## Programmable Functions

<b>Color System:</b>	A three-filter CYM cross-fading mechanism. A fixed color wheel with 11 interchangeable color filters and one open space capable of continuous rotation for additional effects.
<b>Zoom Optics:</b>	Continuously variable field angle from 18.5° to 42°, programmable over a timed range of 2 seconds to 20 minutes.
<b>Beam Size Control:</b>	In addition to the zoom optics, a mechanical iris provides continuous beam size control for both rapid changes and smooth timed beam angle changes.
<b>Intensity Control:</b>	A coated glass dimmer wheel provides full field dimming designed for smooth timed fades.
<b>Strobe:</b>	A high-performance dual blade strobe system capable of ultra-fast operation
<b>Gobo Wheels:</b>	One rotating gobo wheel with five rotatable, indexable gobo positions and one open position.  One fixed gobo wheel with 11 easily loaded patterns and one open position capable of continuous rotation for additional effects
<b>Edge &amp; Pattern Focus:</b>	Variable beam focus to soften edges of gobos or spots.
<b>Pan &amp; Tilt:</b>	Smooth, timed continuous motion by way of a three-phase stepper motor system.
<b>Range:</b>	Pan - 540°, Tilt - 270°.
<b>Accuracy:</b>	0.3° resolution.

## Description

<b>Source:</b>	700 Watt Short Arc Lamp	Color Temperature	5600°K
		CRI	80
<b>Output:</b>	14,500 lumens.		
<b>Power Requirements:</b>	Standard AC power distribution from 90-264 VAC, 50/60 Hz. The unit requires 4 to 12 A depending on the AC supply voltage.		
<b>Reflector:</b>	Precision glass reflector with dichroic cold mirror coating.		
<b>Operational Temperature:</b>	-20° to 122°F (-29° to 50°C). Note: Derate to 113°F (45°C) for operation below 100 VAC.		
<b>Cooling:</b>	Forced air cooling.		
<b>Control:</b>	Completely compatible with a wide variety of DMX512 consoles.		
<b>DMX Channels:</b>	22		
<b>Mounting Position:</b>	The VL2500™ Spot luminaire can be mounted and operated in any orientation.		
<b>Spacing:</b>	Hangs on 19.0 in. (48.3 cm) centers.		
<b>Weight:</b>	59.2 lbs (26.9 kg)		

## Accessories

71.2528.0700	700 Watt Short Arc Lamp
22.9620.0194	Safety Cable Assembly
55.6840.0001	Truss Hook, Mega-Clamp (Round and Square)
55.6841.0001	Truss Hook, Mega-Claw for 2" Round Tube
41.6006.0390	3200K Color Correction filter



# VL2500™ Spot

l u m i n a i r e

## Specifications

The unit is an integrally designed, remote-controlled, motorized spot luminaire. The head, yoke and enclosure housings are constructed of aluminum alloy, plastic and steel for lightweight strength and durability. Virtually silent fans provide forced-air cooling for internal components. The rear cap is removable, providing easy access to the lamp for replacement.

A single AC input cable along with two, five-pin DMX512 compatible connectors (in and through) are provided. The unit can be controlled by a wide variety of DMX512 consoles. In addition, a built-in Master/Slave function enables operation of multiple luminaires without a control console.

Each unit is equipped with multiple on-board processors providing diagnostic and self-calibration functions as well as internal test routines and software update capabilities.

The unit contains two independent three-phase stepper motors to provide movement of the head through 540° in the horizontal plane (pan) and 270° in the vertical plane (tilt). The pan and tilt mechanisms are belt-driven, providing positional resolution and repeatability of 0.3° on either axis.

A CYM color mixing system using three wheels is provided for a broad range of user color selection. In addition to the CYM system, a fixed color wheel with 11 discrete colors is included for specific color requirements and snap color changes in .14 seconds. The unit comes equipped with a standard palette of dichroic color filters. (Custom colors are available from Vari-Lite.) A fixed gobo wheel holds 11 interchangeable gobo choices. The unit comes equipped with 11 standard gobos. A second gobo wheel containing five individually rotating, indexable gobos is included. Its operation is achieved by two motors, which provide independent drive regardless of the direction of movement. All five rotating gobos are easily interchangeable to allow further customization of the unit. (A wide selection of color and patterned gobos is available from Vari-Lite.)

The unit contains a coated glass dimmer wheel that provides full field dimming and allows for both smooth timed fades and fast blackouts. A high-performance, dual blade strobe system is operated with two motors and is capable of various strobe effects. A mechanical iris provides continuous beam size control for both rapid changes and smooth timed beam angle changes. Variable beam focus is provided to soften the edges of gobos or spots and to provide gobo morphing. A powerful zoom lens system offers an adjustable field angle from 18.5° to 42°. When used in combination with the beam size iris, the unit can project a beam with a field angle of 8°.

The unit is ETL and ETLc certified and CE marked. Exterior finish is black.

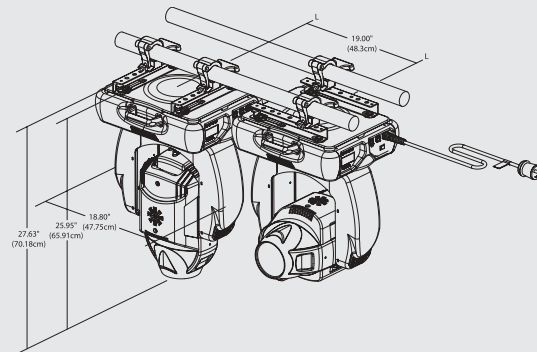
## Photometric Data\*

VL2500 Spot Luminaire – 700W Metal Halide					
Zoom Lens Positions	Candela* (cd)	Beam Angle (DEGREES)	Beam Diameter TN <sup>1</sup>	Field Angle (DEGREES)	Field Diameter TN <sup>1</sup>
NFOV	320,000	12.5°	.219	18.5°	.326
MFOV	102,100	20.5°	.362	31.5°	.564
WFOV	51,200	28.5°	.508	42°	.768

<sup>1</sup> Multiply distance by Tn to determine coverage.

To calculate center beam Illuminance (I), at a specific distance (D):  $I = \frac{cd}{D^2}$   
 — if (D) is in feet, (I) is in foot candles  
 — if (D) is in meters, (I) is in lux

\* Note:  
 All data taken with seasoned light source at 20 hours of life.  
 Fixture output = 14,500 lumens.



Vari-Lite  
 10911 Petal Street  
 Dallas, TX 75238  
 1.877.VARILITE  
 fax: 214.647.8038  
 www.vari-lite.com



**VARI\*<sup>®</sup>LITE**  
 Express yourself.  
 a GENLITE company

© 2004 Genlyte Group LLC. Printed in the U.S.A. Specifications are subject to change without notice. VARI\*<sup>®</sup>LITE is a registered trademark of Genlyte Thomas Group LLC. VL2500™ is a trademark of Genlyte Thomas Group LLC. VARI\*<sup>®</sup>LITE is automated lighting equipment is made in the U.S.A. VARI\*<sup>®</sup>LITE products are protected by patents granted and pending in the U.S. and other countries.

