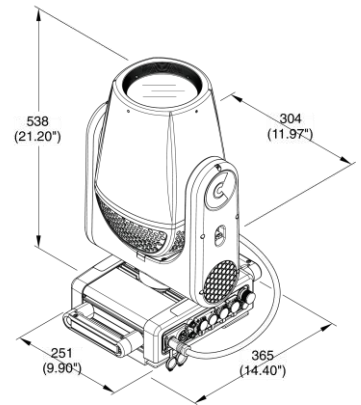
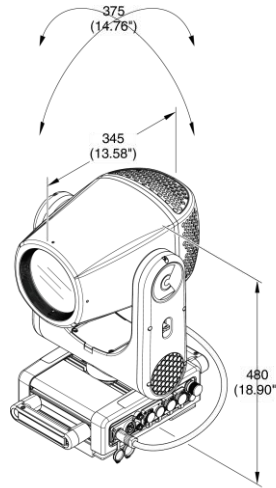


MODEL: ULTIMO SHARPY

CODE: CD3040

February 25, 2026

WARNING: THE INFORMATION IN THIS DOCUMENT IS SUBJECT TO CHANGE WITHOUT NOTICE AND SHOULD NOT BE CONSTRUED AS A COMMITMENT BY CLAY PAKY S.R.L.



LIGHT SOURCE:

- Source type:** • Short-arc High Intensity Discharge (HID) lamp
- Color temperature:** • 7200 K
- CRI:** • Up to 74
- Lamp life expectancy:** • 6000 Hrs

PHOTOMETRIC DATA:

- Zoom range:** • 2° beam angle with focus lens
- Lm output:** • 11200 Lm (integrating sphere)
- Front lens:** • Ø 140 mm
- Optical syt.:** • High efficiency

NOISE LEVEL:

- Auto:** • 50.0 dB
- Low noise:** • 43.0 dB

CONTROL & CONNECTIONS:

- Personalities:** • 3 personalities with 27 / 16 / 27 control channels
- Protocols:** • DMX, Art-Net, sACN, RDM
• CRMX (Lumen Radio)
- Connectors:** • Locking 5 pin XLR IN/OUT
• RJ45 IN/OUT
- Power con.:** • PowerCon True1 IN/OUT
- Web server:** • Built-in
- CloudIO:** • Fully compatible

DYNAMIC EFFECTS:

- Color:** • Fixed color wheel with 14 dichroic colors - True CMY color mixing system
- Gobos:** • 1 Static Gobo Wheel with 17 gobos
- Frost:** • 1 linear heavy frost 10°
- Rotating effects:** • 1 8 facet prism with rotation in both direction at variable speed
• 1 6 facet linear prism with rotation in both direction at variable speed

- Movement:**
- Tilt: 275°
 - Pan: infinite rotation
 - Accuracy: $\pm 0.46^\circ$ ($\pm 0^\circ 27' 36''$)
 - Range: $0,92^\circ$ ($0^\circ 55' 12''$)
 - Absolute position
 - Mechanical Pan/Tilt lock for safe transportation and maintenance

- Dimmer / Shutter:**
- High resolution mechanical dimmer - 24 bit, 5 curves
 - Ultra-smooth electronic dimmer with high resolution fades;

- Special feature:**
- Sharpy emulation mode for plug-and-play legacy compatibility

HARDWARE & SOFTWARE:

- Long life self-charging battery
- Display graphic LCD backlit B/W display
- Firmware upload from another fixture
- Firmware upgrade via Web Server
- Diagnostic
- DMX monitoring
- Remote access through RDM

HOUSING:

- Aluminium and steel structure with plastic covers
- Two side handles for transportation
- IP66 protection rate
- Working in any position
- Hanging system: with fast-lock Omega clamps (1/4 turn) on the base
- Optional safety chain
- Marine grade protection

ELECTRICAL:

- Operating voltage:**
- 100-240V, 50/60 Hz
- Power Supply:**
- Electronic auto range with active PFC
- Power Factor:**
- 0,952 @ 230V 50Hz - 0,994 @ 115V 50Hz
- MAX power consumption:**
- 460W (4.6A)

THERMAL SPECIFICATION:

- MAX Ambient temperature:**
- 45°C (113°F)

- Min Ambient Temperature:**
- -20°C (-4°F)

- MAX temp. of the ext. surface:**
- 90°C (194°F)

- Total heat dissipation:**
- 1600 BTU/hr $\pm 10\%$ / 1700 kJ/hr $\pm 10\%$

SAFETY SPECIFICATIONS:

- Min. dist. of illum. objs:**
- 13 m (42' 8")

- Min. dist. from flamm. mat.:**
- 0.2m (8")

- Protections:**
- Thermally protected power supply (overheating and cooling failure)
 - Forced ventilation with axial fans
 - F6.3A 250V 5x20 mm – External mains fuse
 - F5A 250V 5x20 mm – External mains

COMPLIANCE:

CE Marking (in conformity to the following):

- 2014/53/EU - Radio Equipment Directive (RED)
- 2011/65/EU - Restriction of the use of certain hazardous substances (RoHS)
- 2009/125/EC - EcoDesign requirements for Energy-related Products (ErP)

UKCA conforms to UK regulations:

- S.I. 2017 N. 1206
- S.I. 2012 N. 3032
- S.I. 2021 N. 745

cETLus LISTED:

- UL 1573:2003
- CSA C22.2 N.166:2015

PACKAGING:

- Carton box + Polystyrene
- Carton box + Foam shell (4 positions)
- Flight case + Foam shell (4 positions)

WEIGHT & SIZES:

- Weight:**
- 19,48 Kg (42,95 lbs)

- Base dim.s:**
- 365 x 251 mm
 - 14.4 x 9.9 In

- Height with vert. head (h):**
- 538 mm
 - 21.2 In

- Dist. b/t 2 fixt:**
- 376 mm

ACCESSORIES:

- Omega bracket:**
- 2x183102/805 (Included)

- ETL Power:**
- CAB02B/802 (Included)*
* Cord 1.5 m (bare end with IP65 PowerConTrue1 conn.)

- CRMX Antenna extension:**
- ANT004 (Optional)

- Flight case (4 pos.):**
- CF1048F (Optional)

- Foam shell:**
- F21358/001 (Optional)

- Safety Chain:**
- 10504/001 (Optional)

- Clamp:**
- C21070 (Optional)